

## Technical data sheet

### Transponder

Part no.: 50141658

TFM 05 1625.210

#### Contents

- Technical data
- Dimensioned drawings
- Further information



Figure can vary



## Technical data

### Basic data

Series	TFM
Suitable for	RFM
Chip	NXP ICODE SLI
Working frequency	13.56 MHz

### Electrical data

#### Performance data

Memory access	Read/Write
Memory size	256 B
Memory block	64 Piece(s)
Memory block size	4 B
Storage time	50 ms
Memory type	EEPROM
Number of write cycles	10 to the power of 5
Number of read cycles	unlimited

### Certifications

Standards applied	ISO 15693
-------------------	-----------

### Mechanical data

Design	Disc
Thickness	6 mm
Outer diameter	50 mm
Inner diameter	5 mm
Housing material	Plastic, LCP (Liquid Crystal Polymer)
Net weight	16.9 g

### Environmental data

Ambient temperature, operation	-25 ... 150 °C
Ambient temperature, storage, time-limited	-40 ... +250 °C = 1,000 h or 1,000 cycles

### Certifications

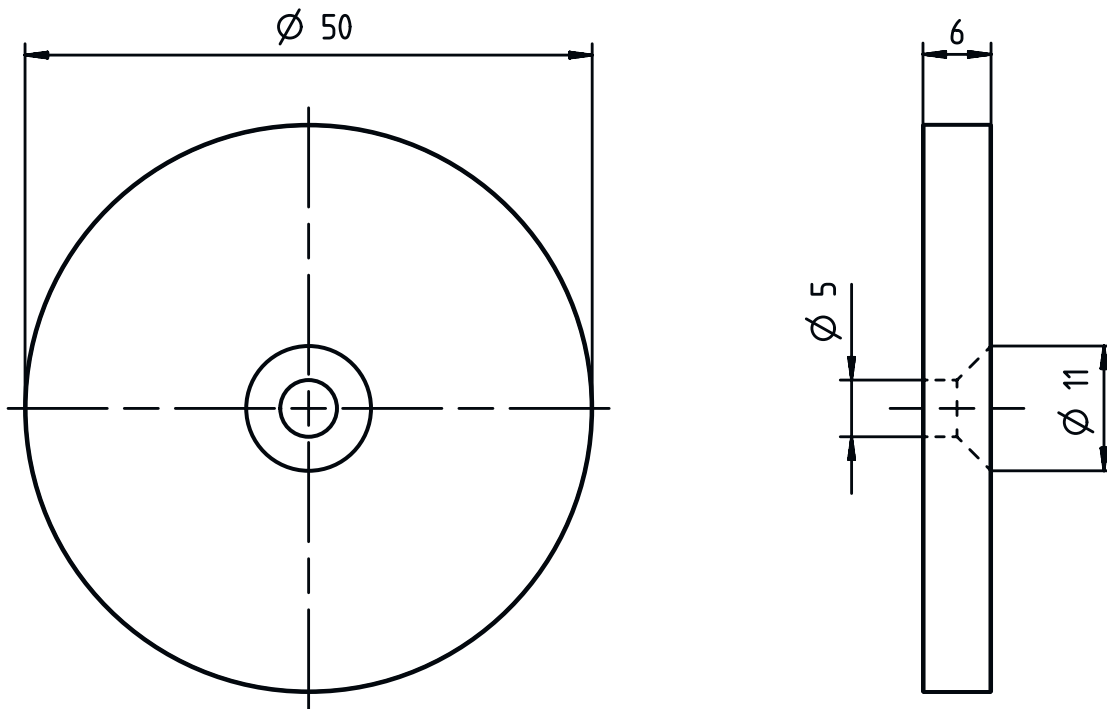
Degree of protection	IP 68
	IP 69K

### Classification

Customs tariff number	85235200
eCl@ss 8.0	27289290
eCl@ss 9.0	27280402
ETIM 5.0	EC002996
ETIM 6.0	EC002996

## Dimensioned drawings

All dimensions in millimeters



## Further information