

## Technical data sheet RFID read/write device

Part no.: 50103087

RFM 32 SL 200 Ex-n

### Contents

- Technical data
- Dimensioned drawings
- Electrical connection
- Operation and display
- Notes
- Further information
- Accessories



Figure can vary



## Technical data

### Basic data

Series	RFM
Working frequency	13.56 MHz

### Functions

Functions	Configurable operating modes
	I/O
	LED indicator
	Reading gate control

### Read data

Reading/writing range, max.	110 mm
Transponder, readable	ICodeSLI
	Infineon MyD
	TagIT HFI

### Electrical data

#### Performance data

Supply voltage $U_B$	12 ... 30 V, DC
Power consumption, max.	1 W
Memory access	Read/Write
Transmission speed	4,000 Bd

#### Inputs

Number of digital switching inputs	1 Piece(s)
------------------------------------	------------

#### Outputs

Number of digital switching outputs	1 Piece(s)
-------------------------------------	------------

### Interface

Type	RS 232
<b>RS 232</b>	
Function	Process
Transmission speed	9,600 Bd
Data format	Fixed
Start bit	1
Data bit	8
Stop bit	1
Parity	None
Transmission protocol	<STX><data><CR><LF>

### Connection

Number of connections	1 Piece(s)
-----------------------	------------

### Connection 1

Function	Data interface
	Signal IN
	Signal OUT
	Voltage supply
Type of connection	Cable with socket connectors (10+6)
Cable length	10,000 mm

### Mechanical data

Design	Cubic
Dimension (W x H x L)	76 mm x 30 mm x 102 mm
Housing material	Plastic
Net weight	1,060 g
Housing color	Black
Type of fastening	Through-hole mounting

### Environmental data

Ambient temperature, operation	-25 ... 60 °C
Ambient temperature, storage	-40 ... 70 °C
Relative humidity (non-condensing)	5 ... 90 %

### Ex specification

Ex device group	II
Temperature class, gases	T4
Ignition protection type	"d" pressure-encapsulated
	"nA" non-sparking

### Certifications

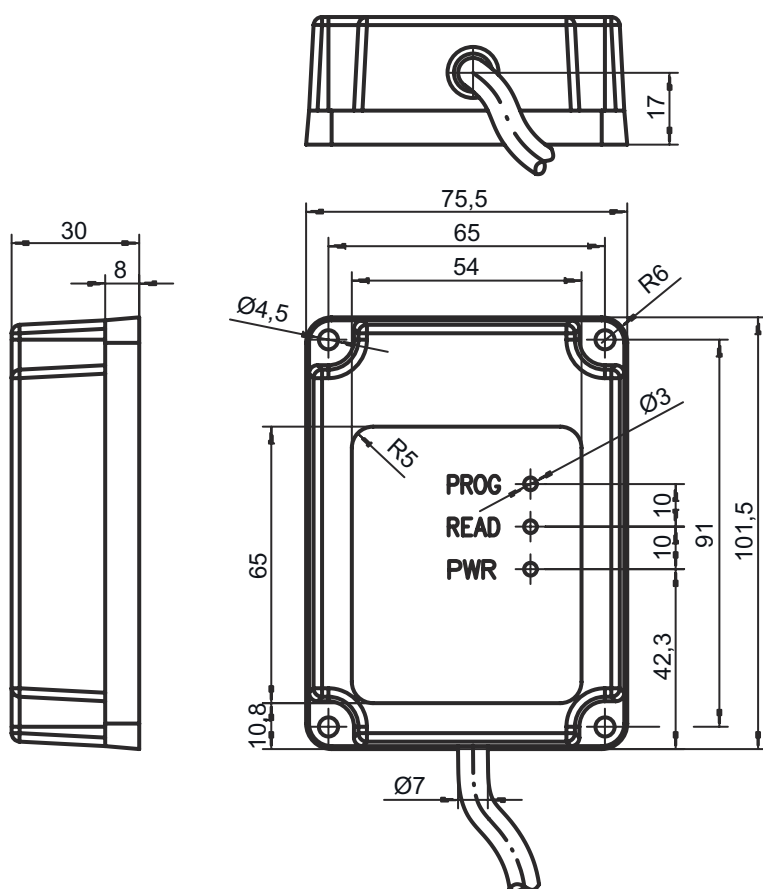
Degree of protection	IP 67
Certifications	Ex

### Classification

Customs tariff number	84719000
eCl@ss 5.1.4	27280401
eCl@ss 8.0	27280401
eCl@ss 9.0	27280401
eCl@ss 10.0	27280401
eCl@ss 11.0	27280401
ETIM 5.0	EC001825
ETIM 6.0	EC002998
ETIM 7.0	EC002998

## Dimensioned drawings

All dimensions in millimeters



## Electrical connection

### Connection 1

Function	Data interface
	Signal IN
	Signal OUT
	Voltage supply
Type of connection	Cable with socket connectors (10+6)
Cable length	10,000 mm

Pin	Pin assignment	Conductor color
1	n.c.	White-brown
2	n.c.	White-red
3	n.c.	White-orange
4	n.c.	White-yellow
5	n.c.	White-green
6	SWOUT 1	White-black
7	GND	Brown
8	n.c.	Red
9	n.c.	Orange
10	RxD	Yellow



## Electrical connection

Pin	Pin assignment	Conductor color
11	TXD	Green
12	n.c.	Blue
13	SWIN 1	Violet
14	VIN	Gray
15	GNDIN	White
16	Shield	Shield

## Operation and display

LED	Display	Meaning
1	Yellow, continuous light	Operational readiness
2	Red, continuous light	Reading gate active
3	Green, flashing	Reading successful

## Notes


 <b>Observe intended use!</b>	
	<ul style="list-style-type: none"> <li>⌘ This product is not a safety sensor and is not intended as personnel protection.</li> <li>⌘ The product may only be put into operation by competent persons.</li> <li>⌘ Only use the product in accordance with its intended use.</li> </ul>

## Further information

- Under certain circumstances, metal in the reading field reduces the operating range considerably.

## Accessories

### Connection technology - Connection unit

	Part no.	Designation	Article	Description
	50031256	MA 2	Connection unit	Interface: RS 232, RS 485 Connections: 3 Piece(s) Degree of protection: IP 54

Note	
	<ul style="list-style-type: none"> <li>⌘ A list with all available accessories can be found on the Leuze website in the Download tab of the article detailed page.</li> </ul>